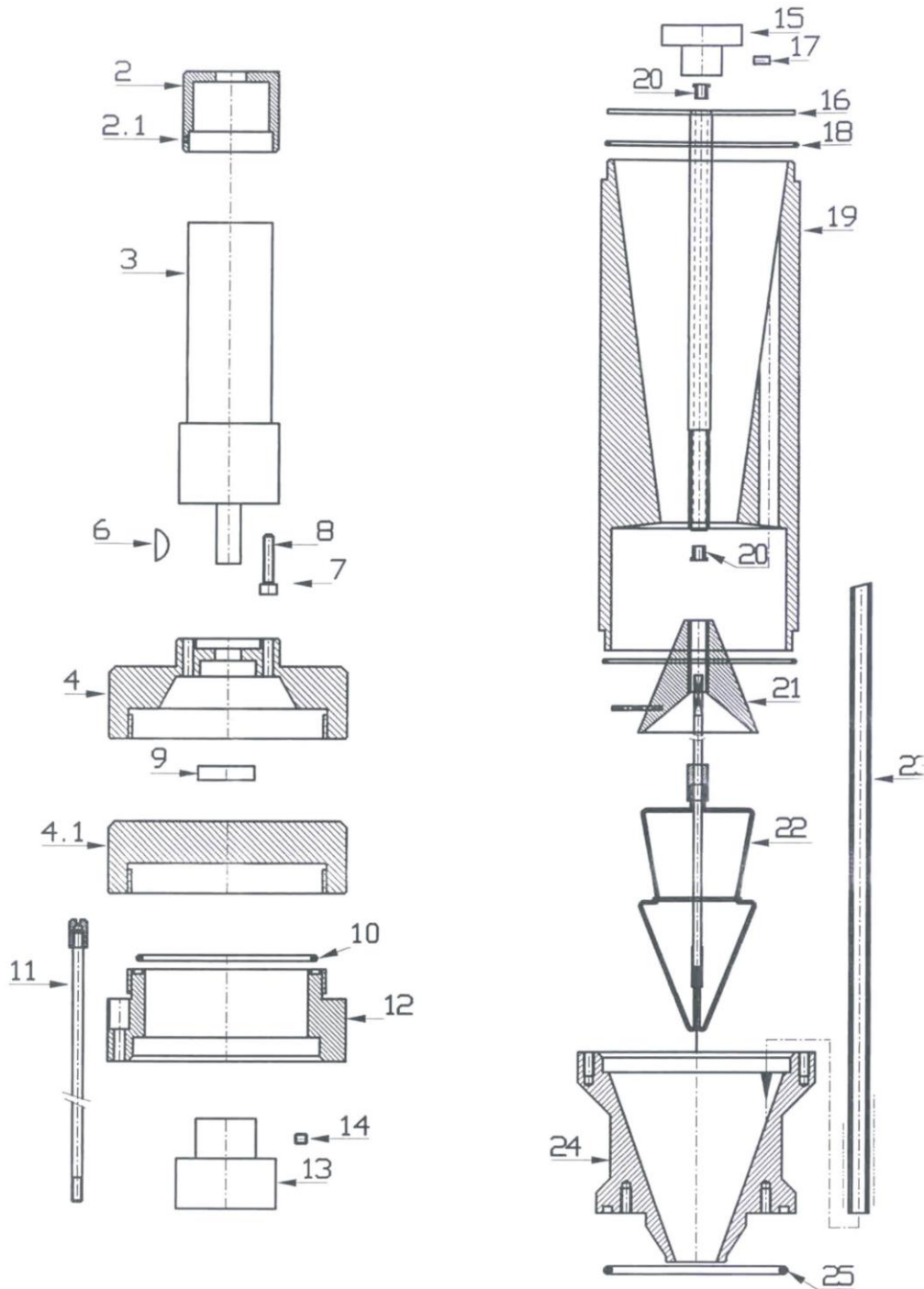


SPARE PARTS LIST

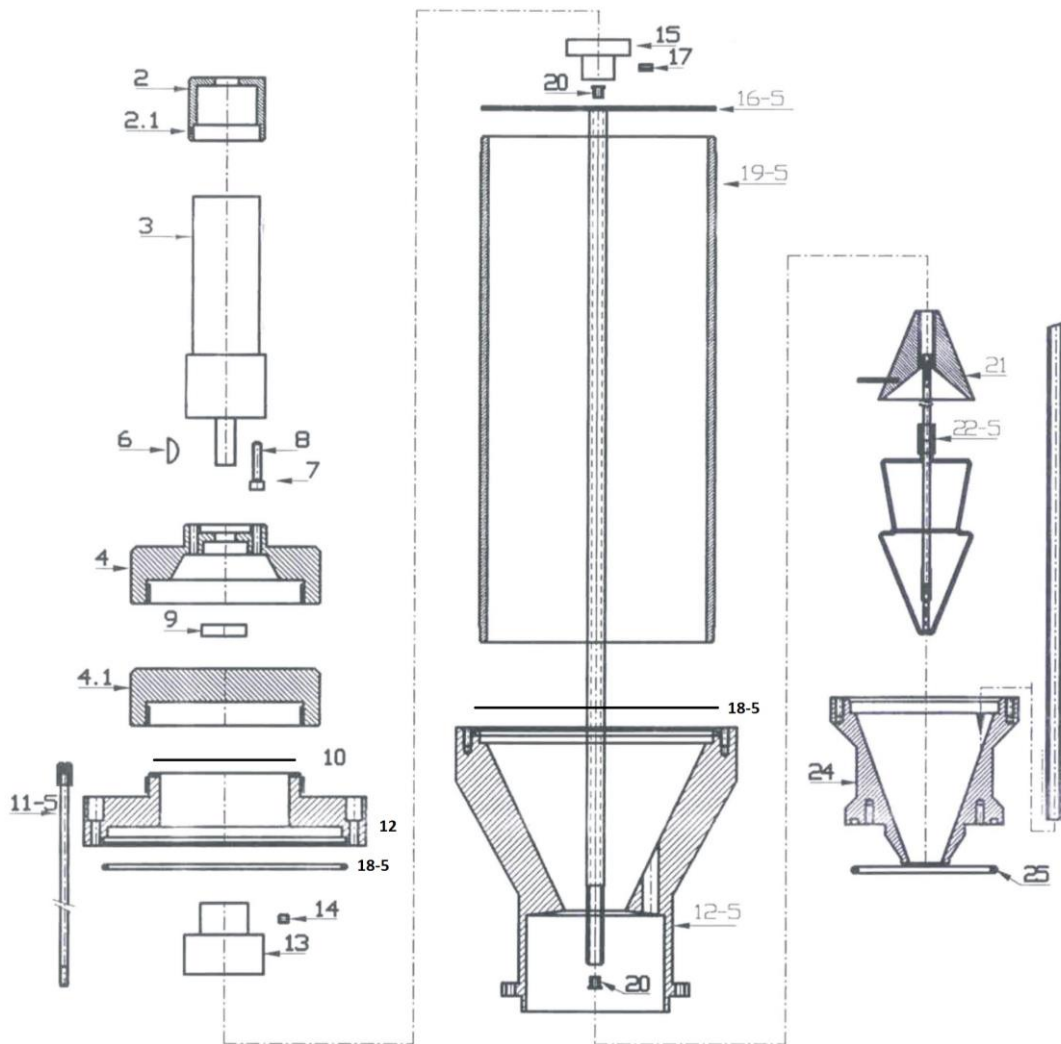
GTV Powder Feeder (1,5 ltr., 5,5 ltr., HP)
402.000

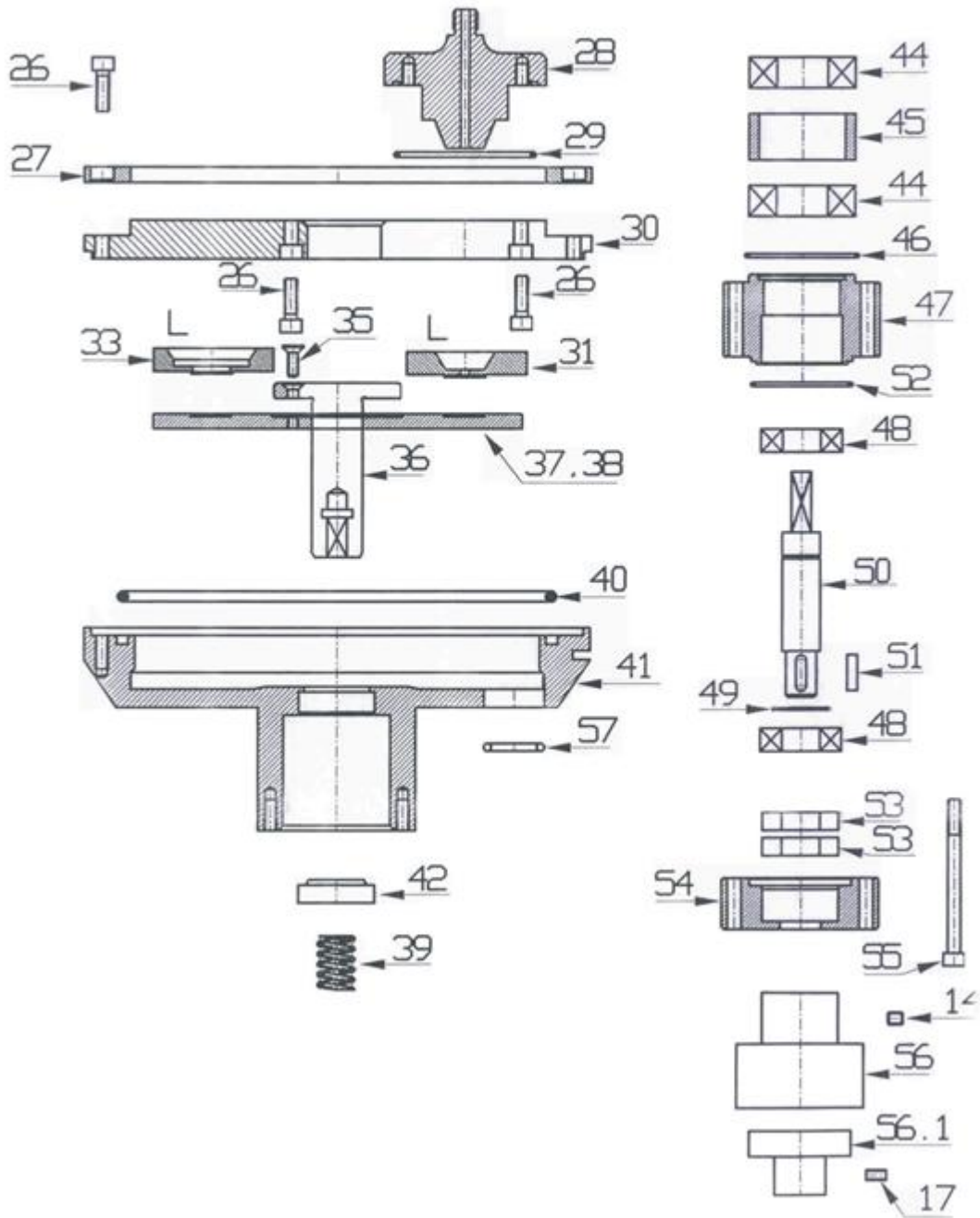


TOP OF POWDER HOPPER 1,5 LTR.



TOP OF POWDER HOPPER 5,5 LTR.





Pos.	Article no.	Description	Recommended quantity
1	402.511	Plug for mixer / stirrer motor	
2	402.530	Cover for mixer / stirrer motor	
2.1	402.602	Hollow set screw	
3	402.508	Mixer / stirrer motor	
4	402.554	Cover for hopper with motor	
	402.554HP15	Cover for hopper with motor high pressure 15 bar	
4.1	402.604	Locking cover	
	402.604HP15	Locking cover high pressure 15 bar	
6	404.606	Woodruff-key	
7	402.607	Spring washer	
8	402.608	Fillister head screw	
9	402.524	A+P radial seal ring	
10	402.522	O-ring	2
11	402.562	Special screw 1,5 ltr.	
11-5	402.562-5	Special screw 5,5 ltr.	
12	402.553	Filler pipe 1,5 ltr.	
	402.553-5	Filler pipe 5,5 ltr.	
12-5	402.527-5T	Feeding cone 5,5 ltr. blue	
	402.527-5THP15	Feeding cone 5,5 ltr. blue high pressure 15 bar	
	402.601	Coupling „two-part“ (Pos. 13+14)	
13	402.509	Coupling incl. screw	
14	402.614	Hollow set screw	
15	402.615	Gear wheel	
16	402.559	Holder complete 1,5 ltr.	
16-5	402.559-5	Holder complete 5,5 ltr.	
17	402.617	Hollow set screw	
18	402.521	O-ring 1,5 ltr.	2
18-5	402.521-5	O-ring 5,5 ltr.	2
19	402.551	Tube 1,5 ltr.	
	402.551HP15	Powder canister 1,5 ltr. high pressure 15 bar	

Pos.	Article no.	Description	Recommended quantity
19-5	402.551-5	Tube 5,5 ltr.	
	402.551-5HP15	Powder canister 5,5 ltr. high pressure 15 bar	
20	402.558	Bearing bushing	
21	402.552	Damper	
21.1	402.621	Cylindrical pin	
22	402.610	Stirrer 1,5 ltr.	
	402.610-01	Stirrer 1,5 ltr. with pins	
	402.610B	Stirrer 1,5 ltr. with lamella	
22-5	402.610-5	Stirrer 5,5 ltr.	
	402.610-01-5	Stirrer 5,5 ltr. with pins	
	402.610-5B	Stirrer 5,5 ltr. with lamella	
23	402.561	Pressure levelling pipe 1,5 ltr.	
23-5	402.561-5	Pressure levelling pipe 5,5 ltr.	
24	402.527	Feeding cone 1,5 ltr. incl. compensation tube	
	402.527HP15	Feeding cone 1,5 ltr. incl. compensation tube high pressure 15 bar	
24-5	402.527-5	Feeding cone 5,5 ltr. incl. compensation tube	
	402.527-5HP	Feeding cone 5,5 ltr. incl. compensation tube high pressure 15 bar	
25	402.520	O-ring	2
26	402.626	Fillister screw	
27	402.544	Aluminum ring for support	
28	402.528	Holder for suction	
29	402.523	O-ring	2
30	402.550	Cover plate	
	402.550HP	Cover plate modified	
	402.567	Set NL, consisting of:	
31	402.566	Exhauster NL 16/1,2	
33	402.565	Spreader NL 16/1,2	
	402.555	Set L, consisting of:	
31	402.557	Exhauster L 16/1,2	3
33	402.556	Spreader L 16/1,2	3

Pos.	Article no.	Description	Recommended quantity
	402.5582	Set laser, consisting of:	
31	402.5562	Exhauster 5/0,6	
33	402.5572	Spreader 5/0,6	
	402.590	Set intermediate, consisting of:	
31	402.588	Exhauster NL 11/0,6	
33	402.589	Spreader NL 11/0,6	
	402.594-01	Set micro, consisting of:	
31	402.593-01	Exhauster NL 3,5/0,3	
33	402.592-01	Spreader NL 3,5/0,3	
	402.594	Set ultramicro, consisting of:	
31	402.593	Exhauster NL 2/0,3	
33	402.592	Spreader NL 2/0,3	
	402.594-9	Set macro, consisting of:	
31	402.593-9	Exhauster 16/3,2	
33	402.592-9	Spreader 16/3,2	
31	402.580	Exhauster NL 601 16/1,2	
33	402.581	Spreader NL 601 16/1,2	
33	402.582	Spreader L 55° 16/1,2	
33	402.583	Spreader NL 55° 16/1,2	
33	402.591	Spreader NL 55° 11/0,6	
35	402.635	Hollow set screw	
36	402.532	Shaft for feed plate	
37	402.533	Feed plate 16/1,2 (standard)	1
37	402.533G	Feed plate 16/1,2 (blasted)	
37	402.533S	Feed plate 16/1,2 (steel)	
37	402.533SG	Feed plate 16/1,2 (steel, blasted)	
37	402.5332	Feed plate 5/0,6 (laser)	
37	402.5332S	Feed plate 5/0,6 (steel)	
37	402.5332ES	Feed plate 5/0,6 (stainless steel)	
37	402.533-10	Feed plate 16/3,2	
37	402.587	Feed plate 11/0,6	
37	402.585-30	Feed plate 3,5/0,3	

Pos.	Article no.	Description	Recommended quantity
37	402.585-30S	Feed plate 3,5/0,3 (steel)	
37	402.585-30ES	Feed plate 3,5/0,3 (stainless steel)	
37	402.585-25	Feed plate 2/0,3	
37	402.585-25S	Feed plate 2/0,3 (steel)	
37	402.585-25ES	Feed plate 2/0,3 (stainless steel)	
39	402.517	Special spring	
40	402.519	O-ring	5
41	402.526	Main housing	
42	402.516	A+P radial seal ring	
44	402.513	Bearing	
45	402.560	Bushing	
46	402.569	O-ring	2
47	402.529	Extension to main housing	
48	402.648	Bearing	
49	402.629	Locking ring	
50	402.542	Drive shaft	
51	402.651	Key	
52	402.568	O-ring	2
53	402.536	A+P radial seal ring	
54	402.543	Bearing cover	
55	402.655	Fillister screw	
56	402.509	Coupling incl. screw	
56.1	402.656	Gear wheel	
57	402.564	O-ring (gas-injector)	5
59	402.599	O-ring set 1,5 ltr. complete	3
59	402.599G	O-ring set 5,5 ltr. complete	3

Date: 19/08/2015