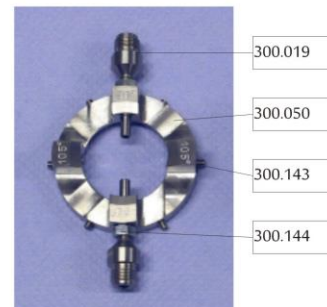
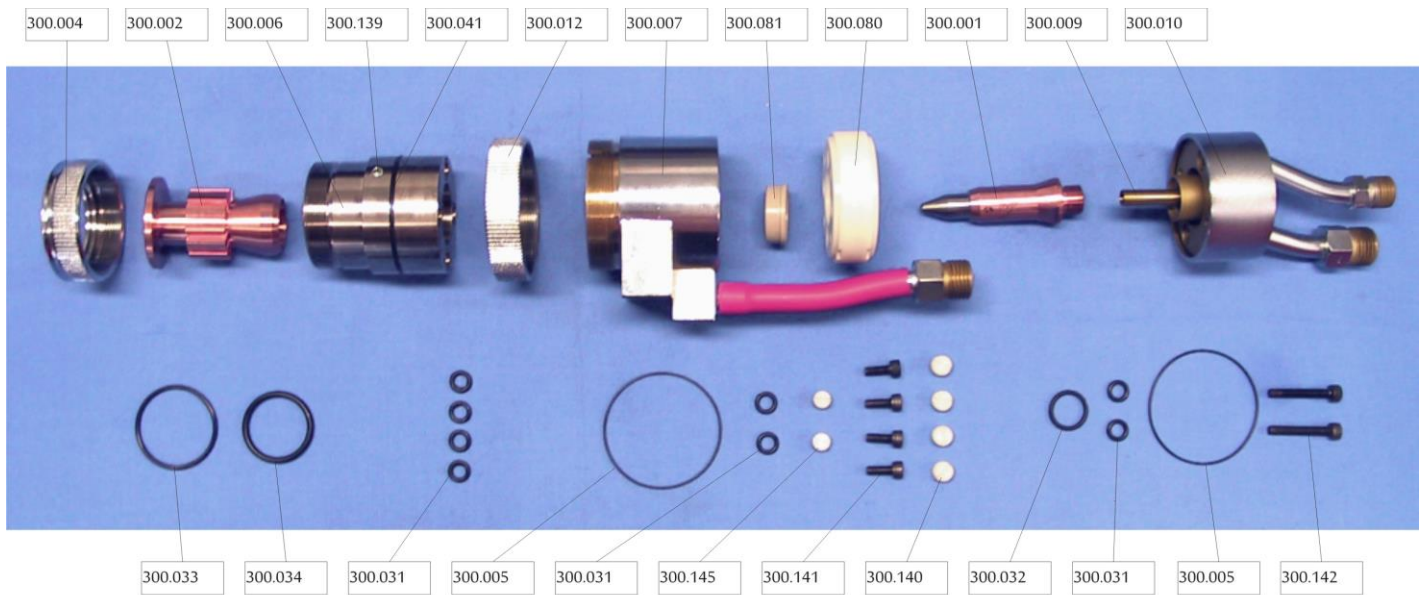


## SPARE PARTS LIST

GTV F4 plasma torch  
300.000



# Complete Equipment, Materials, Spare Parts for Thermal Spraying & Laser Cladding



Article no.	Description	Quantity
300.001	electrode	1
300.002	nozzle	1
300.003	nozzle / electrode / O-ring set	1
300.004	nozzle ring (front)	1
300.005	O-ring isolator	4
300.006	front torch body	1
300.007	center torch body	1
300.009	cooling tube	1
300.010	rear torch body	1
300.012	ring (rear nozzle)	1
300.013	torch cover	1
300.017	ring cover	1

Article no.	Description	Quantity
300.019	powder injector 1,5 mm	2
300.020	powder injector 1,8 mm	
300.021	powder injector 2,0 mm	
300.019S	powder injector 1,5 mm UNF	2
300.020S	powder injector 1,8 mm UNF	
300.021S	powder injector 2,0 mm UNF	
300.026	O-ring set	1
300.031	O-ring torch body	8
300.032	O-ring electrode	1
300.033	O-ring nozzle front	1
300.034	O-ring nozzle rear	1
300.041	O-ring front torch body	1
300.046	nozzle nitrogen	
300.047	electrode nitrogen	
300.048	front torch body nitrogen	
300.050	injector holder 2 x 90° / 2 x 105°	1
300.051	injector holder 2 x 90° / 2 x 75°	
300.052	injector holder 3 x 90° / 1 x 105°	
300.053	injector holder 4 x 100°	
300.055	injector holder 2 x 100° / 2 x 75°	
300.056	injector holder 1 x 90° / 3 x 105°	
300.057	injector holder 4 x 90°	
300.080	insulator (modified)	1
300.081	gas distribution ring	1
300.082	insulator / gas ring set	
300.139	screw front torch body	1
300.140	screw insulator large	4
300.141	screw insulator center	4
300.142	screw rear torch body	2
300.143	screw injector holder	
300.144	nut powder injector	2
300.145	screw insulator small	2

**F4 HB**



Article no.	Description	Quantity
300.007HB	center torch body HB	1
300.010HB	rear torch body HB	1
300.013HB	torch cover HB	1

**F4 HBS**



Article no.	Description	Quantity
300.007HBS	center torch body HBS	1
300.010HBS	rear torch body HBS	1
300.013HBS	torch cover HBS	1

Date: 16.03.2016