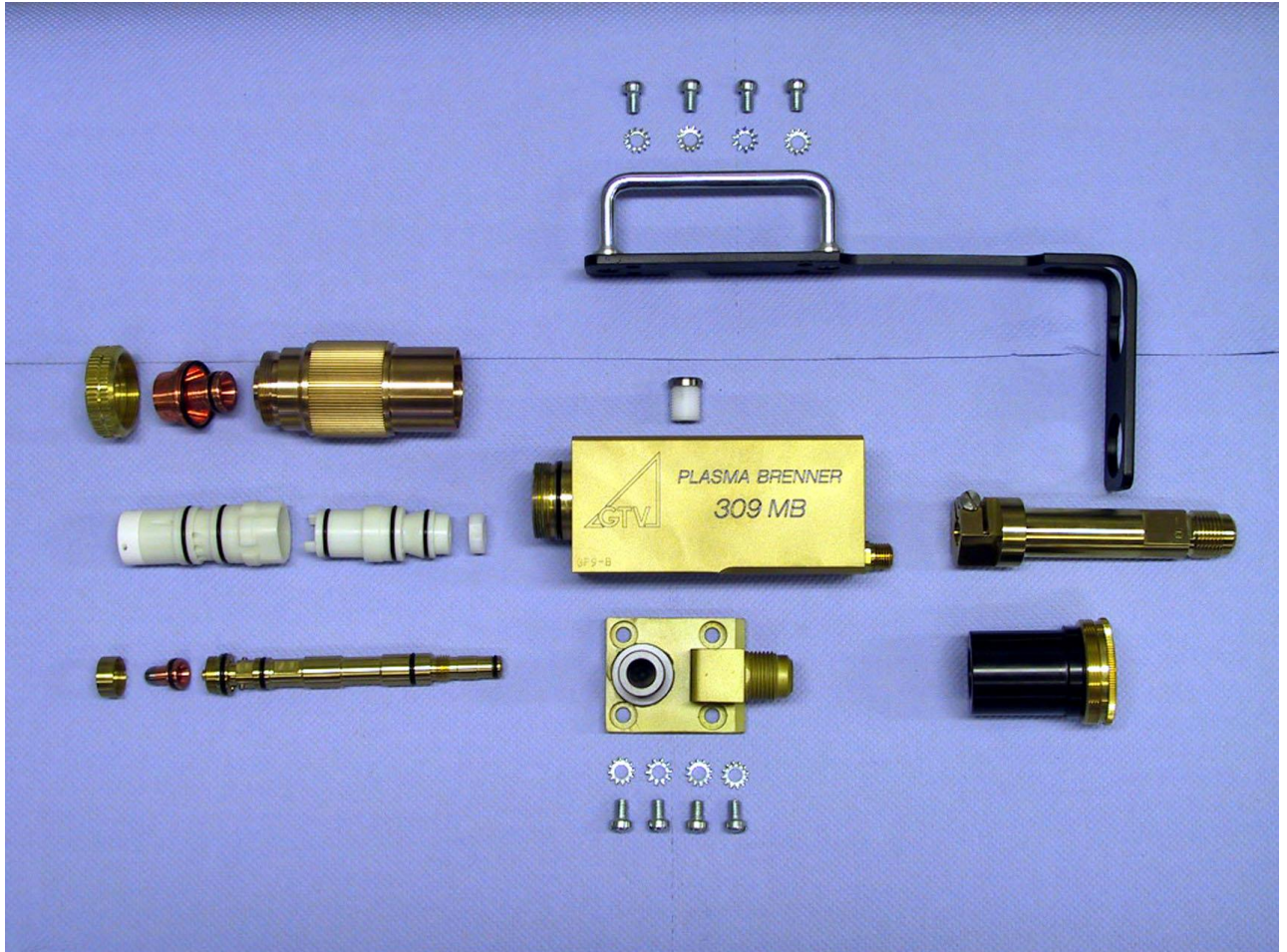


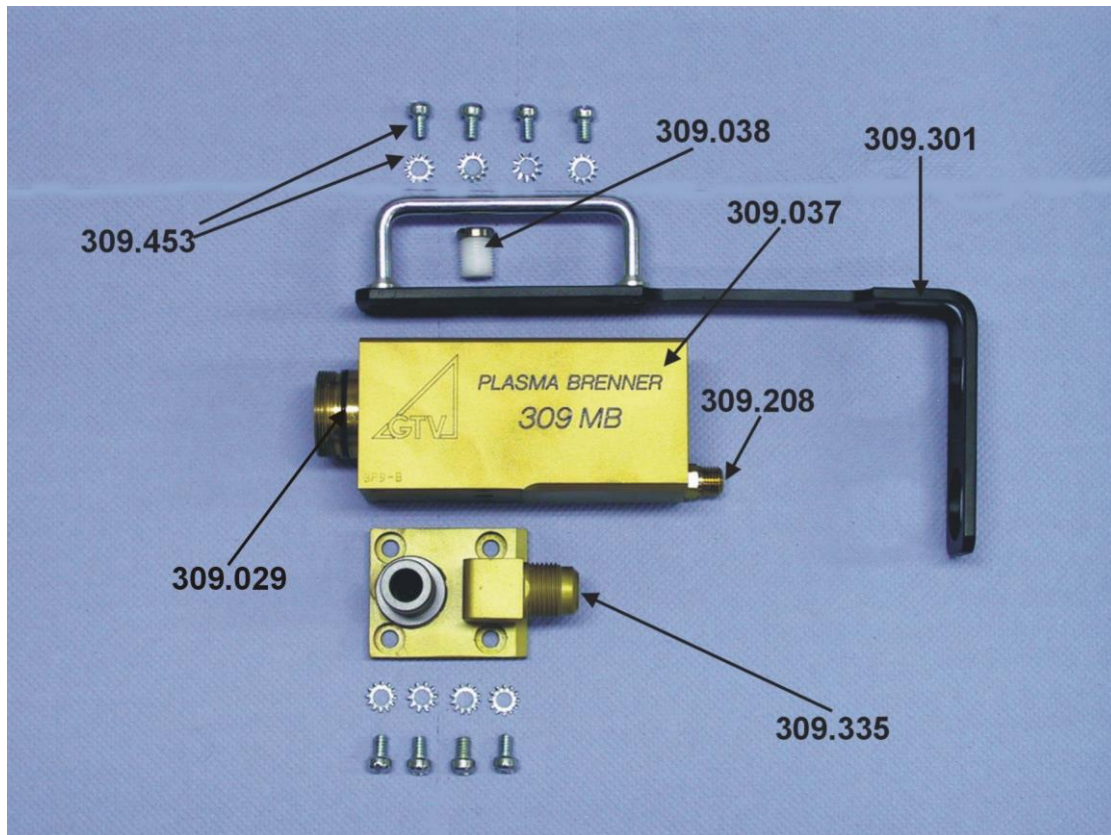
## SPARE PARTS LIST

GTV plasma torch 9MB  
309.000



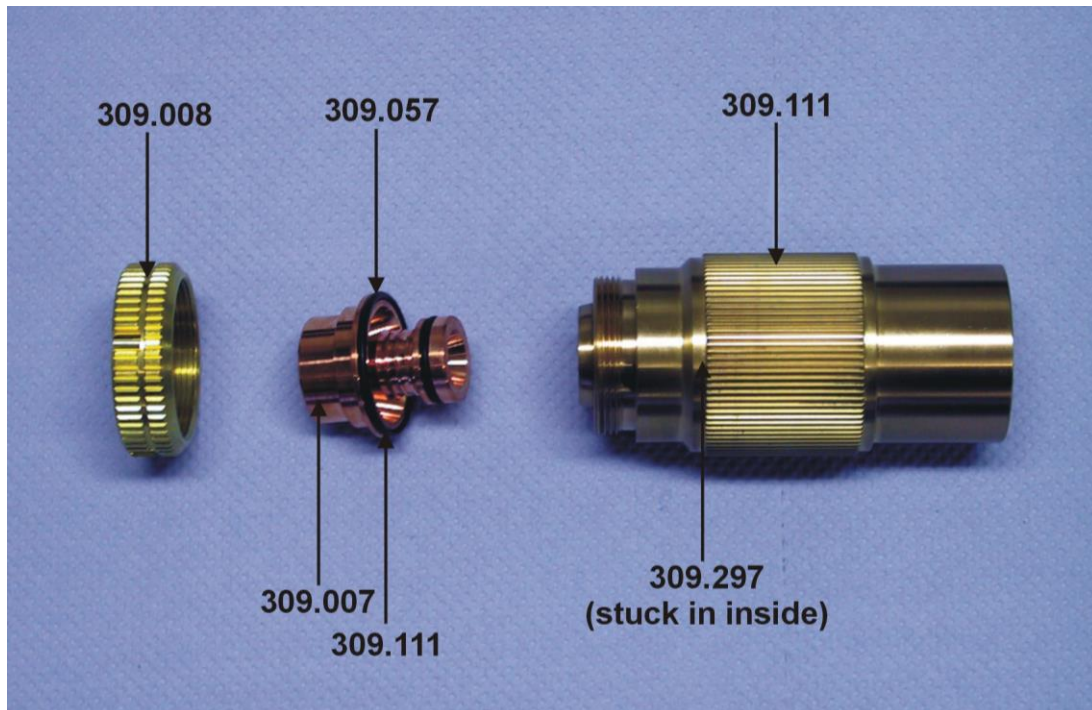
**Exploded view:**



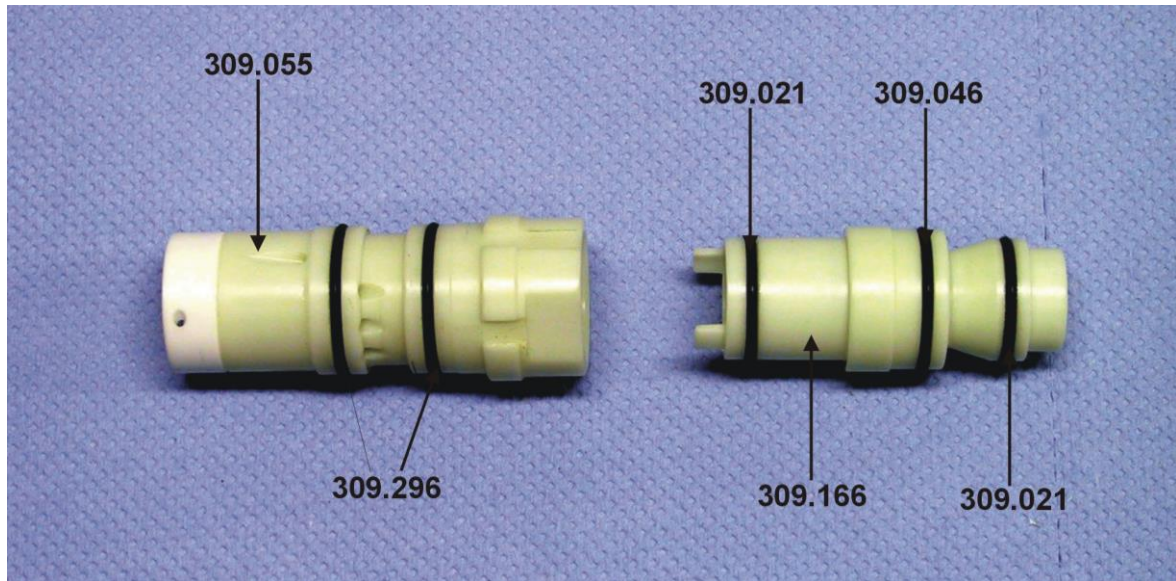


GTV article no.	Description
309.037	base assembly (machine mount)
309.038	plug screw
309.208	hose fitting (plasma gas)
309.301	cable support strap assembly
309.335	hose fitting & mounting stud assembly
309.453	screw & toothring set (4 pcs.)
309.029	O-ring (machine mount base & front gun body)
309.295	O-ring (hose fitting & mounting stud assembly)

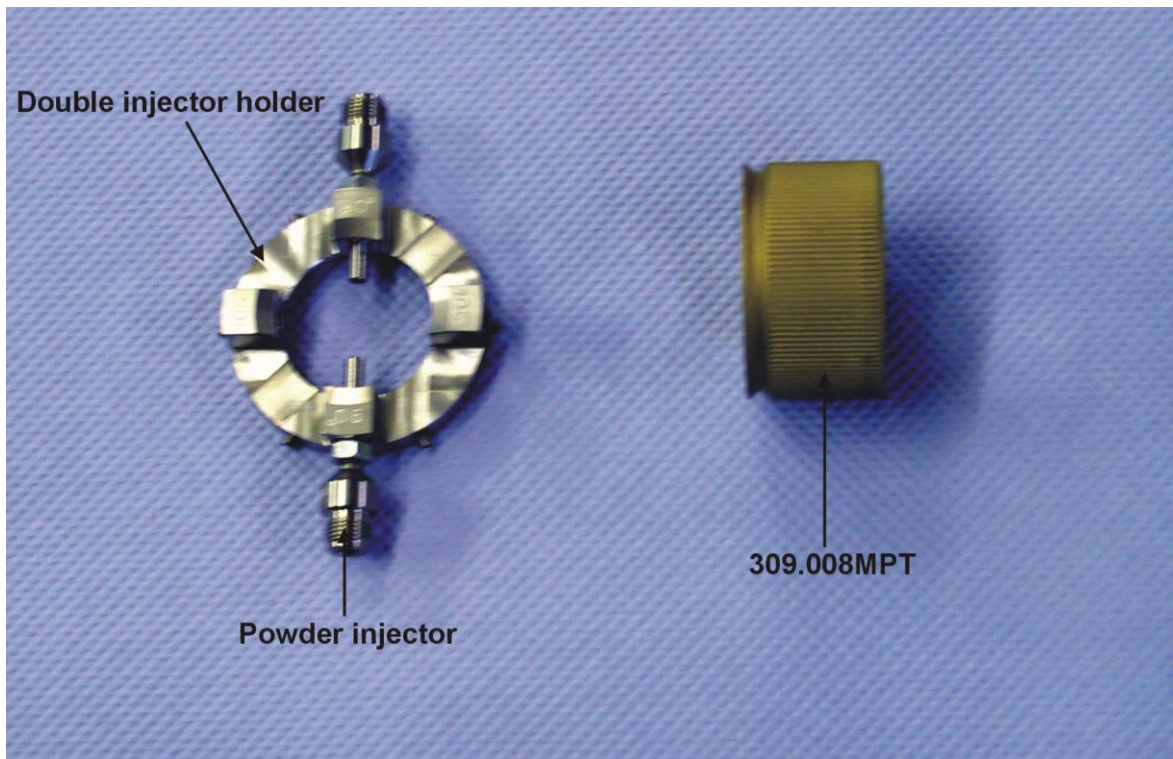




GTV article no.	Description
309.057	o-ring (nozzle – large)
309.111	o-ring (nozzle – small)
309.015	water channel head
309.297	o-ring (water channel head)
309.008	nozzle nut – standard
309.008MPT	nozzle nut – MPT
309.007G	plasma nozzle “G”
309.007GW	plasma nozzle “G” (tungsten insert)
309.007GE	plasma nozzle „GE“
309.007GEW	plasma nozzle „G“ (tungsten insert)
309.007GH	plasma nozzle “GH”
309.007GHW	plasma nozzle “GH” (tungsten insert)
309.007GP	plasma nozzle „GP“
309.007GPW	plasma nozzle “GP” (tungsten insert)

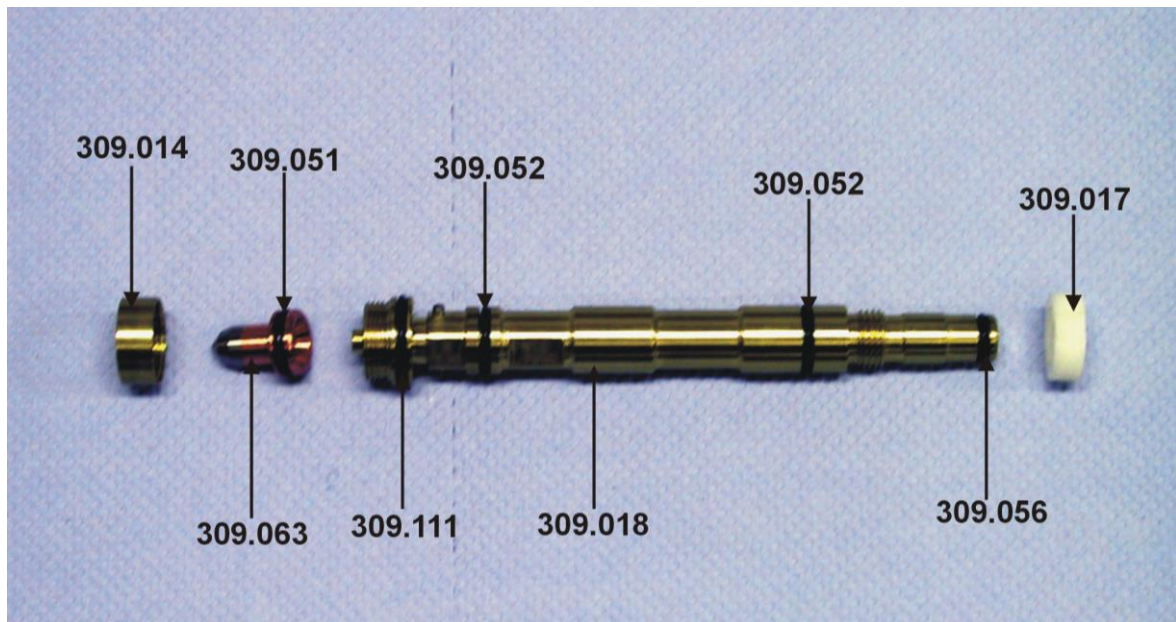


GTV article no.	Description
309.055	front insulator nitrogen – 2 hole
309.055-6	front insulator nitrogen – 6 hole
309.055B	ceramic ring – 2 hole
309.055C	ceramic ring – 6 hole
309.050	front insulator argon
309.050B	ceramic ring argon
309.021	o-ring (rear insulator)
309.046	o-ring (rear insulator)
309.166	rear insulator
309.296	o-ring (front insulator)



GTV article no.	Description
309.008MPT	nozzle nut MPT
300.015	quad injector holder 2x90°/2x75°
300.023	quad injector holder 4x100°
300.050	quad injector holder 2x105°/2x90°
300.052	quad injector holder 3x90°/1x105°
300.055	quad injector holder 2x100°/2x75°
300.144	nut (powder injector lock)
300.143	screw (injector holder) (6 pcs.)
300.019	powder injector 1,5 mm 1/8"
300.020	powder injector 1,8 mm 1/8"
300.021	powder injector 2,0 mm 1/8"
300.019S	powder injector 1,5 mm (UNF-thread)
300.020S	powder injector 1,8 mm (UNF-thread)
300.021S	powder injector 2,0 mm (UNF-thread)
300.020HM	powder injector 1,8 mm (carbide insert)
300.020SHM	powder injector 1,8 mm (UNF-thread) carbide insert

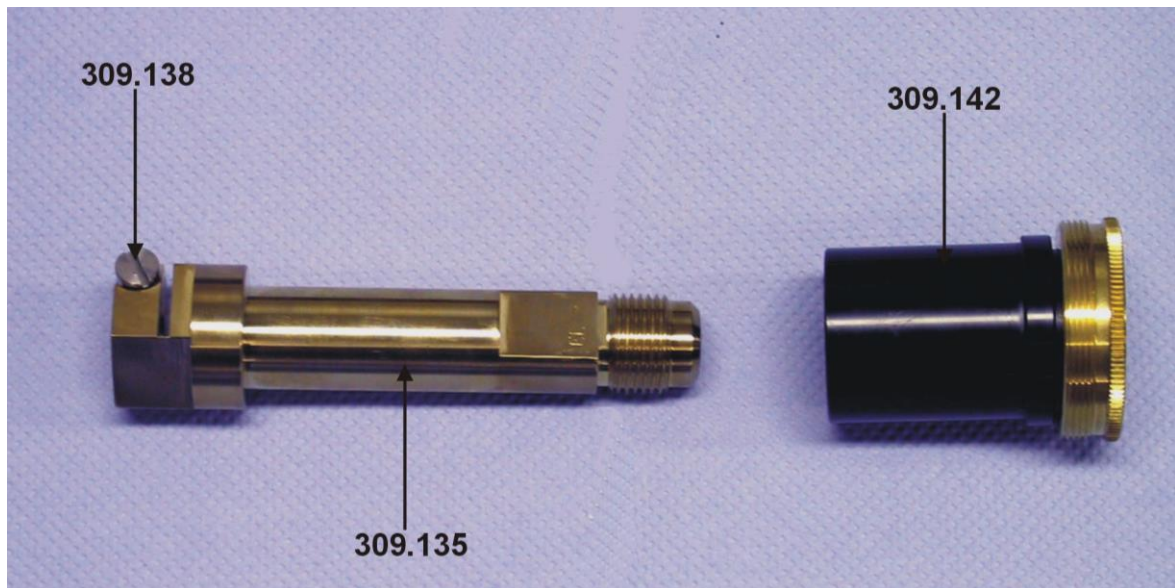




GTV article no.	Description
309.014	nut (electrode lock)
309.017	nut (electrode holder)
309.018	electrode holder assembly
309.051	o-ring (electrode)
309.052	o-ring (electrode holder)
309.056	o-ring (electrode holder & gas hose fitting)
309.063	electrode
309.111	o-ring (electrode holder, rear insulator, nozzle – small)



GTV article no.	Description
309.693	electrode & insulator assy. (argon)
309.694	electrode & insulator assy. (nitrogen)



GTV article no.	Description
309.135	electrode holder clamp & hose fitting
309.138	screw (electrode holder clamp)
309.142	locking ring assembly
309.049	o-ring set 309.000 MB - complete