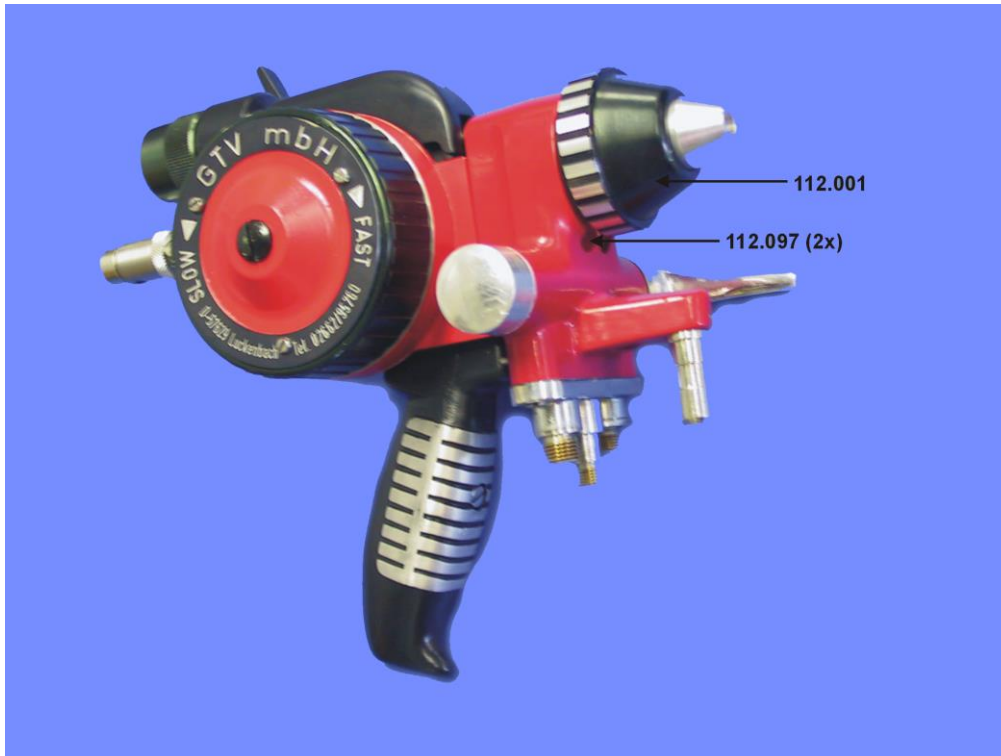


SPARE PARTS LIST

GTV flame spray torch 12E
112.000

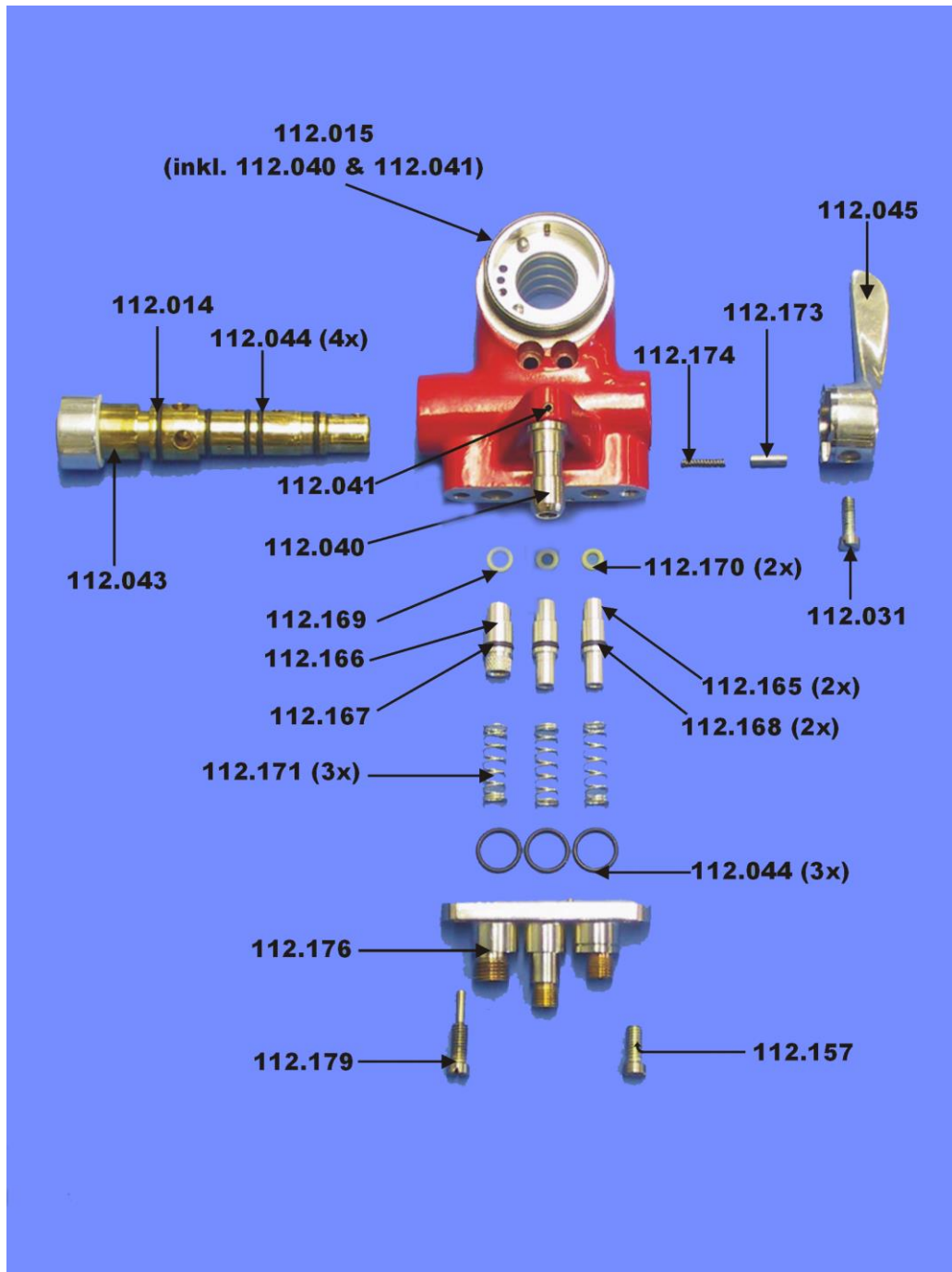


Gas head unit



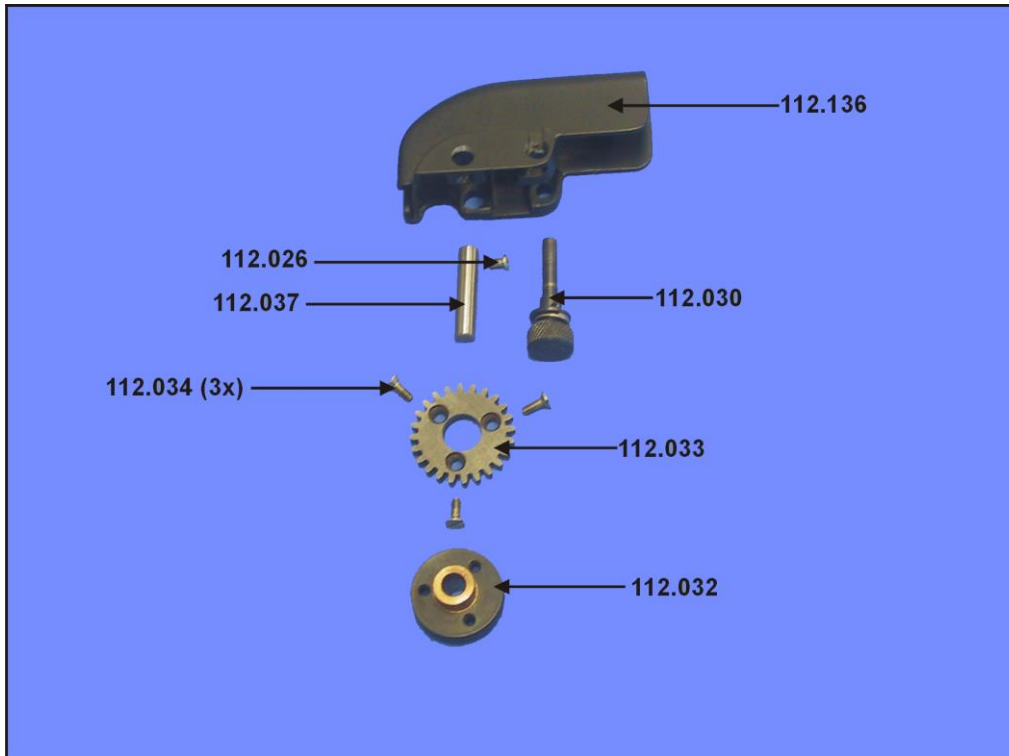
Article no.	Description
112.001	air cap body
112.097	screw (gas head mounting) (front)

Gas head unit



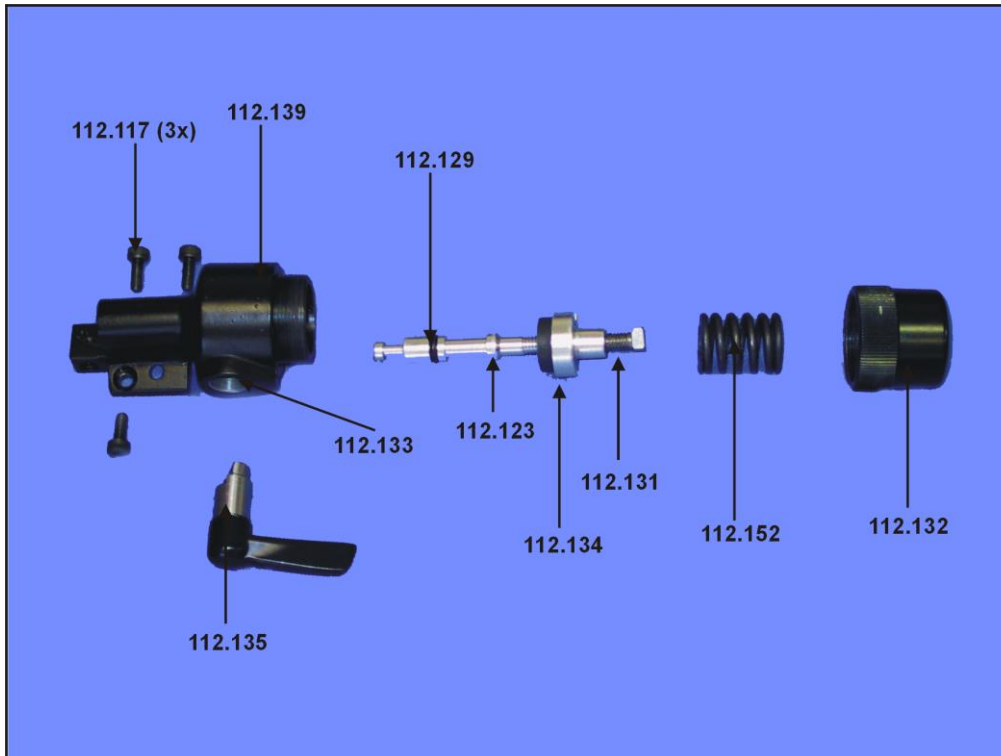
Article no.	Description
112.005	gas head assembly
112.014	O-ring
112.015	gas head sub-assembly (incl. 112.040 and 112.041)
112.031	screw (support block mounting)
112.040	mounting stud
112.041	roll pin (mounting stud)
112.043	valve core
112.044	o-ring (valve core)
112.045	valve handle assembly
112.096	screw (gas head mounting) (rear)
112.157	screw (valve core stop)
112.165	plunger (fuel, gas & oxygen)
112.166	plunger (air)
112.168	o-ring (plunger-gas, oxygen)
112.169	o-ring (plunger air)
112.170	o-ring (plunger-gas, oxygen)
112.171	plunger spring
112.173	detent pin
112.174	spring (detent pin)
112.176	hose connection block
112.179	screw (valve core stop)
112.184	o-ring package (gas head)

Feed roller carrier unit



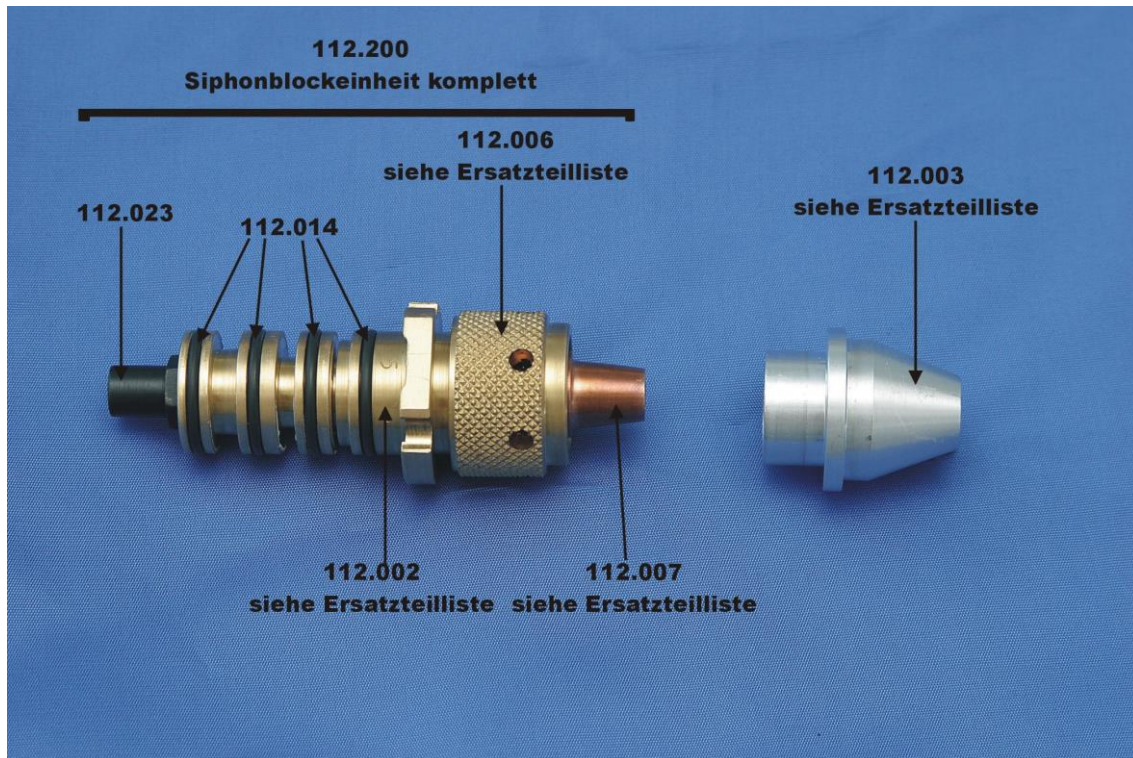
Article no.	Description
112.026	upper drive roll axle screw
112.030	drive roll carrier pivot pin
112.032-3/16	upper drive roll 3/16" – 1/8"
112.032-1/8	upper drive roll 1/8" – 15 ga.
112.033	upper drive roll gear
112.034	upper drive roll gear screw
112.037	upper drive roll gear axle
112.136	drive roll carrier

Wire clamping device



Article no.	Description
112.117	support block mounting
112.123	push rod
112.129	push rod seal
112.131	locking screw
112.132	locking screw
112.133	spring cap
112.134	cam follower assembly
112.135	cam assembly
112.139	drive roll carrier
112.152	spring

Siphon plug unit



Article no.	Description
112.006	nozzle nut
112.014	O-ring

Wire guide

Article no.	Description
112.023	front wire guide 1/8"
112.023-3/16	front wire guide 3/16" – 1/8"

Siphon plug 112.002

Article no.	Description
112.002A	siphon plug acetylene (incl. O-rings)
112.002P	siphon plug propane (incl. O-rings)

Siphon plug unit 112.200

Article no.	Description
112.200	siphon plug unit completet (incl. nozzle, nozzle nut, O-rings, front wire guide)

When ordering the siphon block unit 112.200, the wire gauge and the fuel gas have to be indicated.

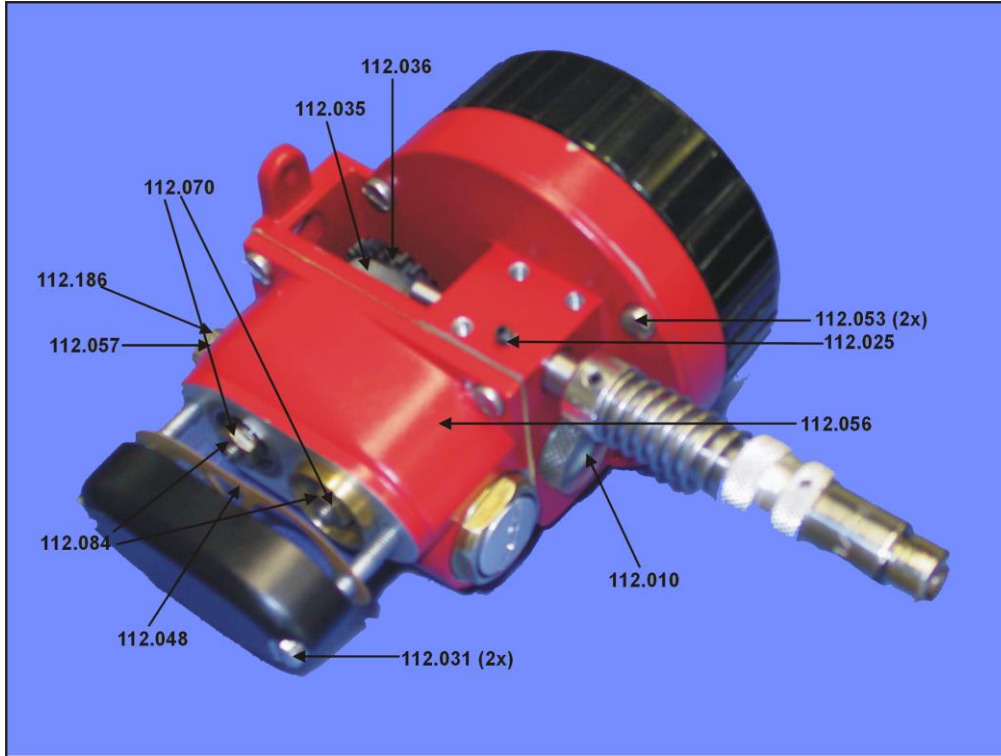
Wire nozzle 112.007

Article no.	Description
112.007A1	nozzle 11 gage (acetylene) 10 hole
112.007A1-6	nozzle 11 gage (acetylene) 6 hole
112.007A1NL	nozzle 11 gage (acetylene) non loaded
112.007A2	nozzle 1/8" (acetylene)
112.007A2NL	nozzle 1/8" (acetylene) non loaded
112.007A4	nozzle 3/16" (acetylene)
112.007A4NL	nozzle 3/16" (acetylene) non loaded
112.007P1	nozzle 11 gage (propane)
112.007P1NL	nozzle 11 gage (propane) non loaded
112.007P2	nozzle 1/8" (propane)
112.007P2NL	nozzle 1/8" (propane) non loaded
112.007P4	nozzle 3/16" (propane)
112.007P4NL	nozzle 3/16" (propane) non loaded

Air caps

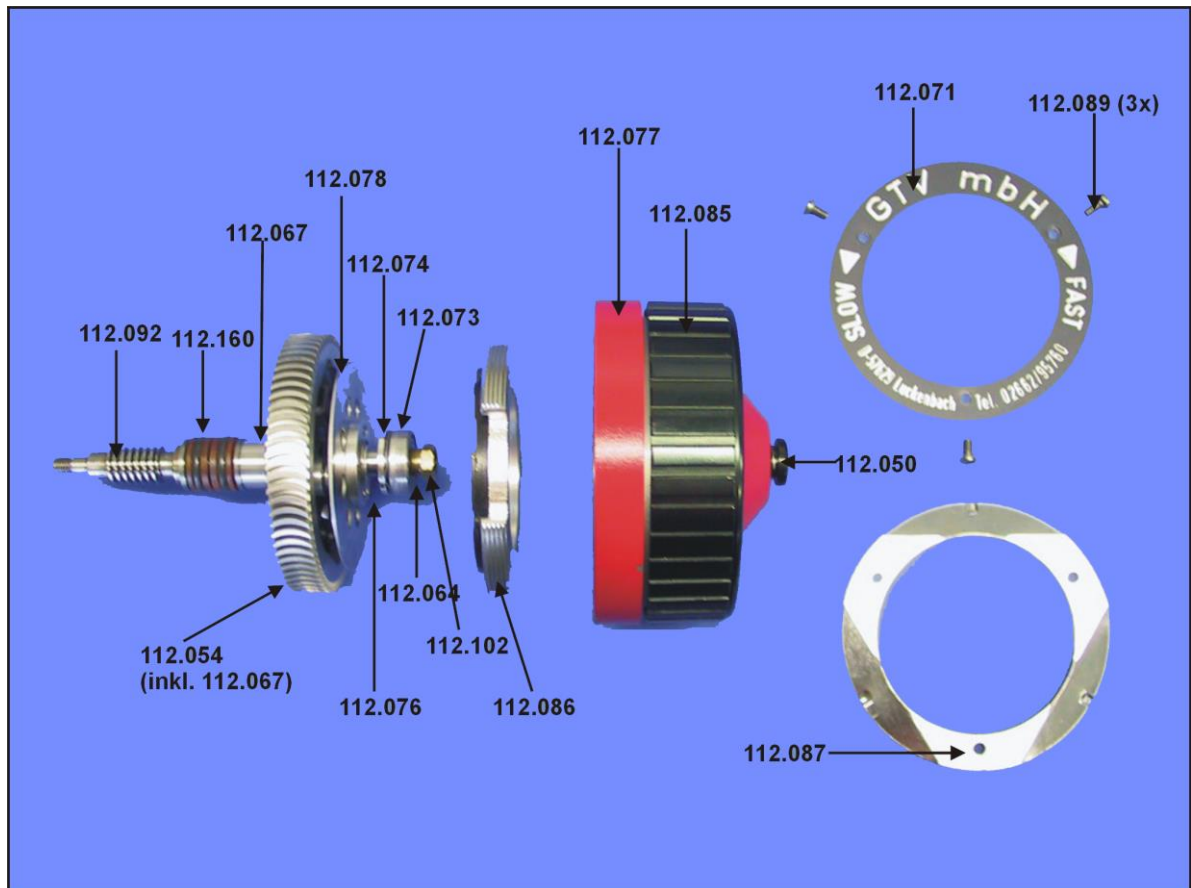
Article no.	Description
112.003C	air cap C
112.003CH	air cap CH
112.003EC	air cap EC
112.003J	air cap J
112.003EA	air cap EA
112.004AB	fan spray air cap AB
112.004CD	fan spray air cap CD

Drive unit, wire clamping device



Article no.	Description
112.010	oil sight plug
112.025	set screw for right wire guide
112.031	bearing cover mounting screw
112.035-3/16	lower drive roll 3/16" – 1/8"
112.035-1/8	lower drive roll 1/8" – 11 ga.
112.036-3/16	lower drive gear 3/18" – 1/8"
112.036-1/8	lower drive gear 1/8" – 20 ga.
112.039	bearing follower sub assembly
112.047	bearing cover
112.048	bearing cover gasket
112.053	gear cover screw
112.056	gear cover
112.057	plug screw
112.084	nut for left bearing
112.186	plug screw o-ring

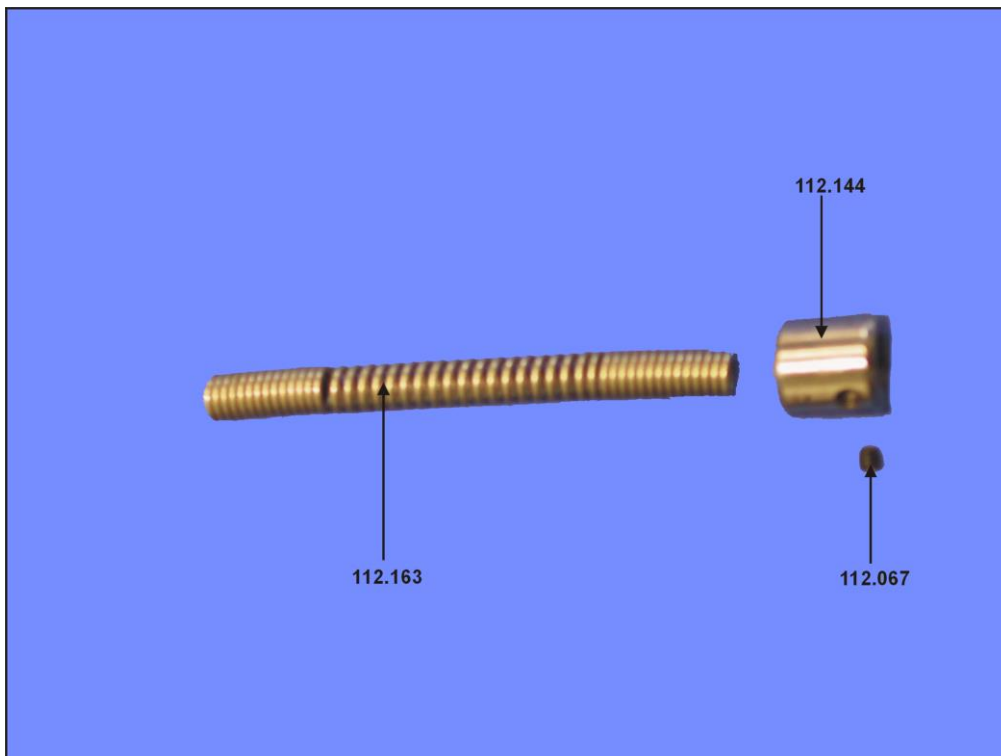
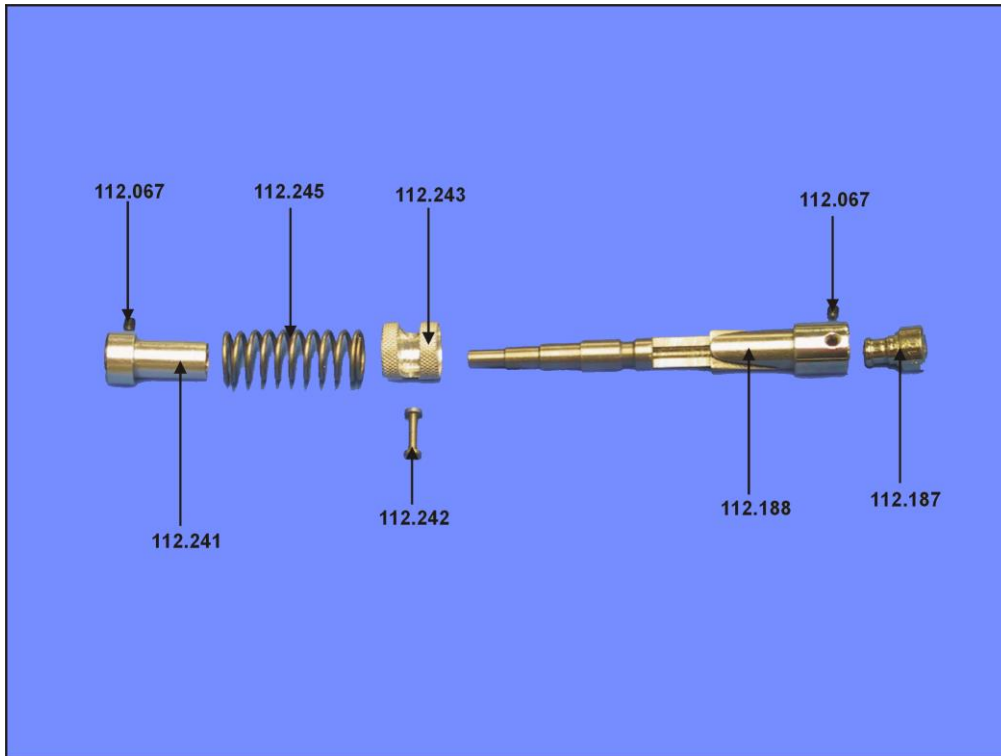
Turbine and speed control



Article no.	Description
112.050	grease plug screw
112.054	turbine rotor (incl. 112.067)
112.057	plug screw
112.064	finger spring
112.067	set screw for turbine rotor
112.071	ring nameplate
112.073	right ball bearing for turbine shaft
112.074	washer for brake disc return spring
112.076	brake disc return spring
112.077	turbine cover
112.078	brake disc
112.079	O-ring

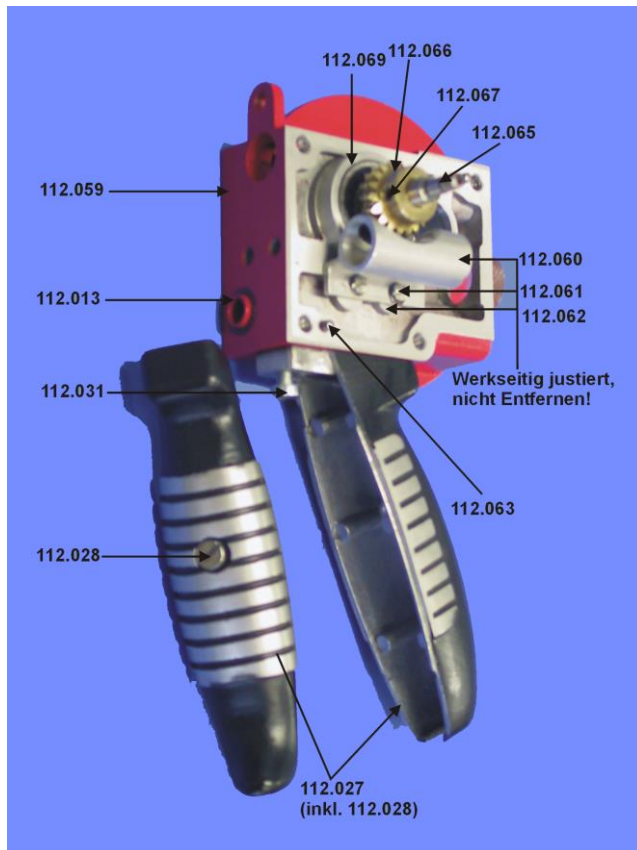
Article no.	Description
112.085	regulation ring
112.086	brake segment
112.087	locking ring
112.089	screw (ring name plate)
112.092H	turbine shaft (high speed)
112.092S	turbine shaft (standard)
112.102	nut (turbine bearing shaft)
112.160	oil seal assembly

Snubber and strain relief



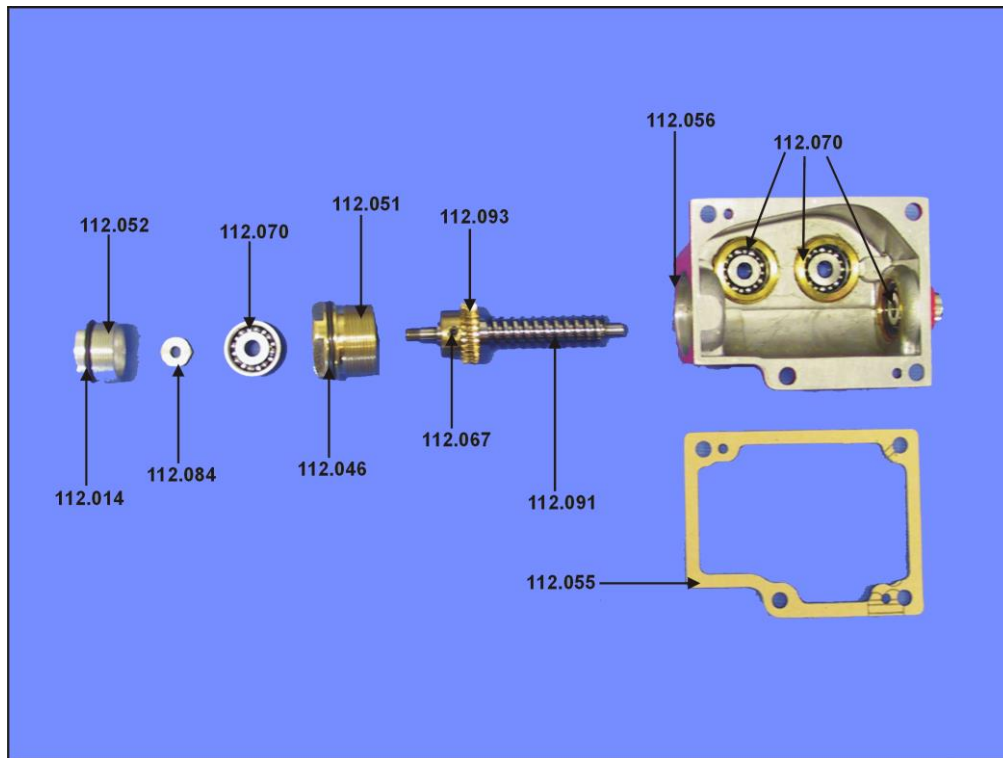
Article no.	Description
112.067	screw
112.115	roller case
112.116	roller and stud
112.118-3/16	wire backstop 1/8" - 3/16"
112.118-1/8	wire backstop 1/8" – cal. 11
112.119	spring (roller)
112.120	roller spindle
112.143	guide spring (incl. 112.067, 112.144, 112.163)
112.144	bushing
112.146	snubbing guide (rear) (small gage)
112.147	snubbing guide 1/8"-11 gage (rear)
112.148	guide insert 1/8" - 11 gage
112.149	mounting screw (center body)
112.163	spring (strain relief)
112.187	guide insert 3/16" - 1/8"
112.188	wire guide 3/16"-1/8" (rear)
112.224	guide insert 1/8" - 11 gage
112.241	spring retainer (snubber assembly)
112.242	roller
112.243	spring housing
112.245	spring (snubber assembly)

Central housing, gun handle, drive shaft



Article no.	Description
112.013	O-ring
112.027	gun handle
112.028	screw (gun handle)
112.031	screw (support block mounting)
112.059	central housing (incl. 112.013, 112.060, 112.061, 112.062, 112.063)
112.060	pump housing
112.061	screw (pump housing mounting)
112.062	spring washer (pump housing)
112.063	dowel pin
112.065	drive shaft
112.066	gear (drive shaft)
112.067	screw (for various items)
112.068	seal (drive shaft)
112.069	ball bearing (right) drive shaft

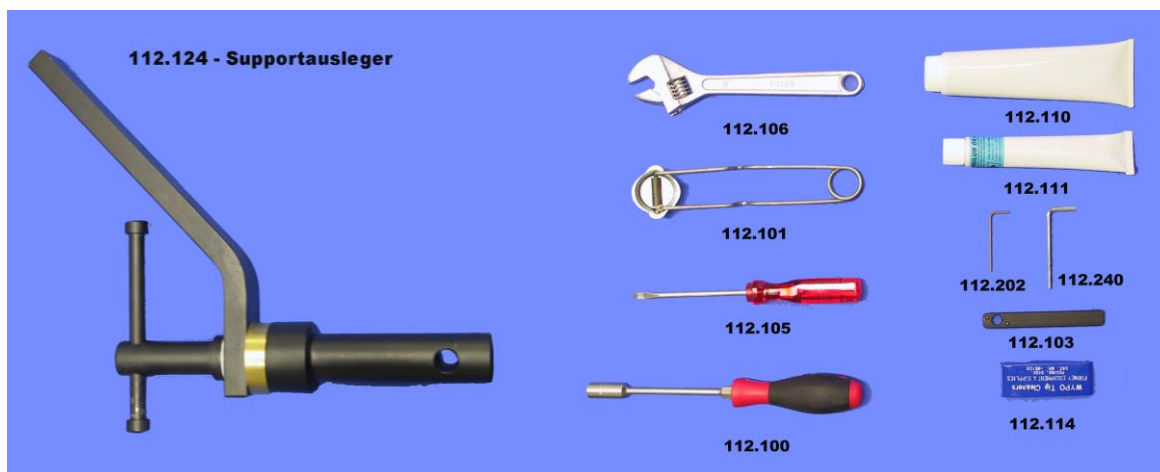
Gear cover and transmission gears



Article no.	Description
112.014	O-ring
112.046	O-ring
112.051	bearing retainer (rear)
112.052	retainer plug
112.055	gasket (gear cover)
112.056	gear cover
112.067	screw
112.070	left ball bearing for drive shaft
112.084	nut (bearing)
112.091	counter shaft
112.093H	gear (counter shaft) (high speed)
112.093S	gear (standard)

Support assembly

Tools and lubricants



Article no.	Description
112.124	support assembly
112.100	socket wrench
112.105	screw driver
112.101	lighter
112.106	adjustable wrench
112.114	nozzle cleaning needle set
112.103	mouting tool
112.202	hex key
112.240	hex key
112.110	GTV Gearlube
112.111	GTV Valvelube

Date: 03.06.2016